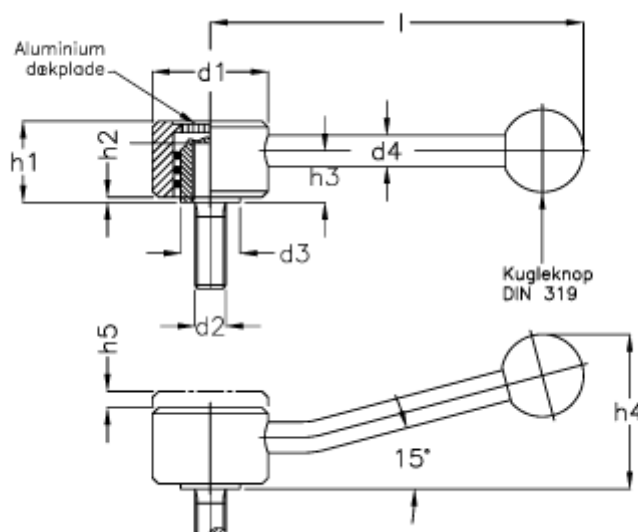


Article number: 20497902B1

Description: E+G Flat adjustable tension lever stainless
GN125.5-40-M12-50-D

Measures



d1 = 40	h5 = 4.5
d2 = M12	l1 = 25
d3 = 19.0	
d4 = 12	
h1 = 26.5	
h2 = 2.0	
h3 = 16.0	
h4 = 50	